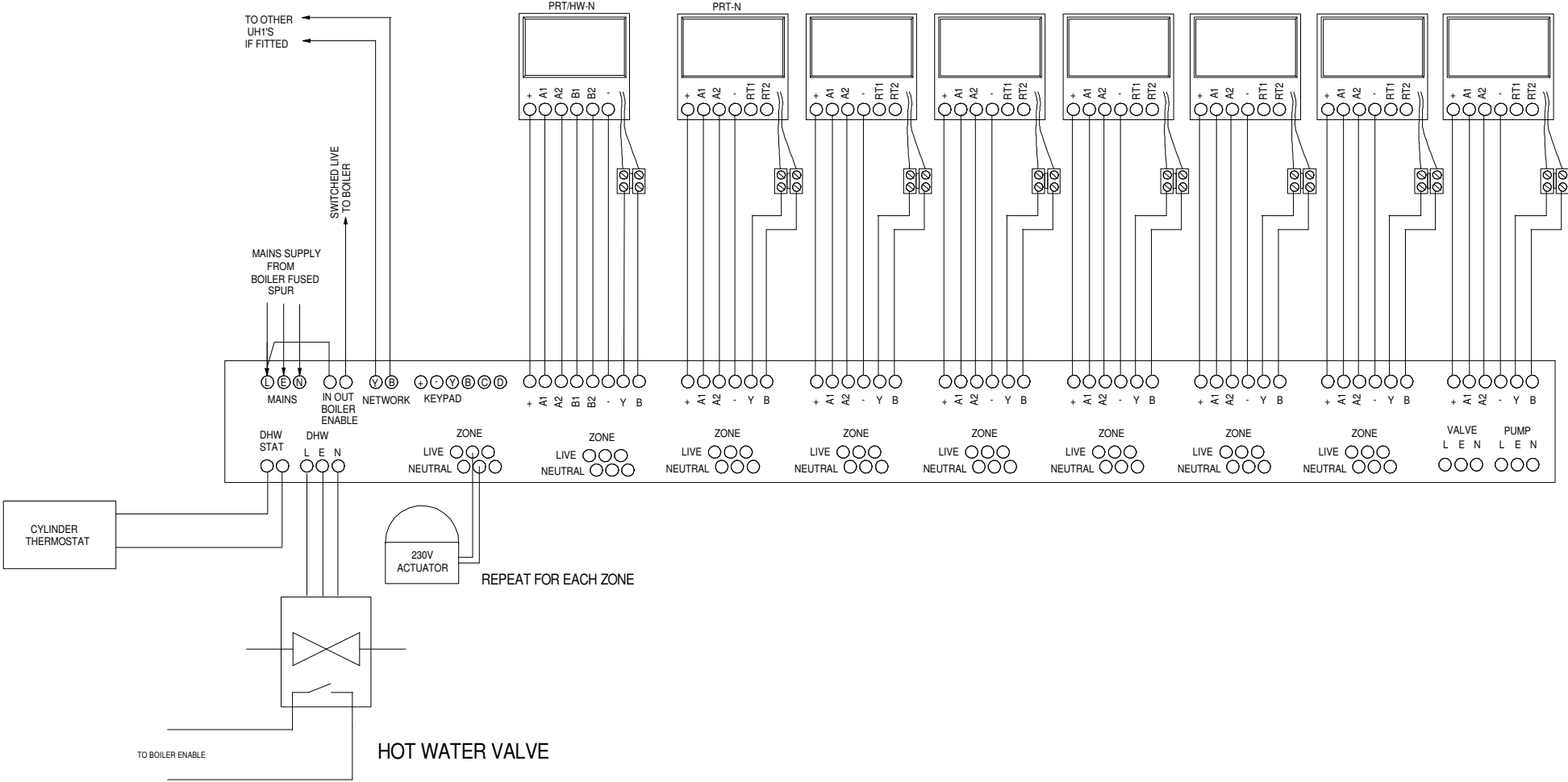
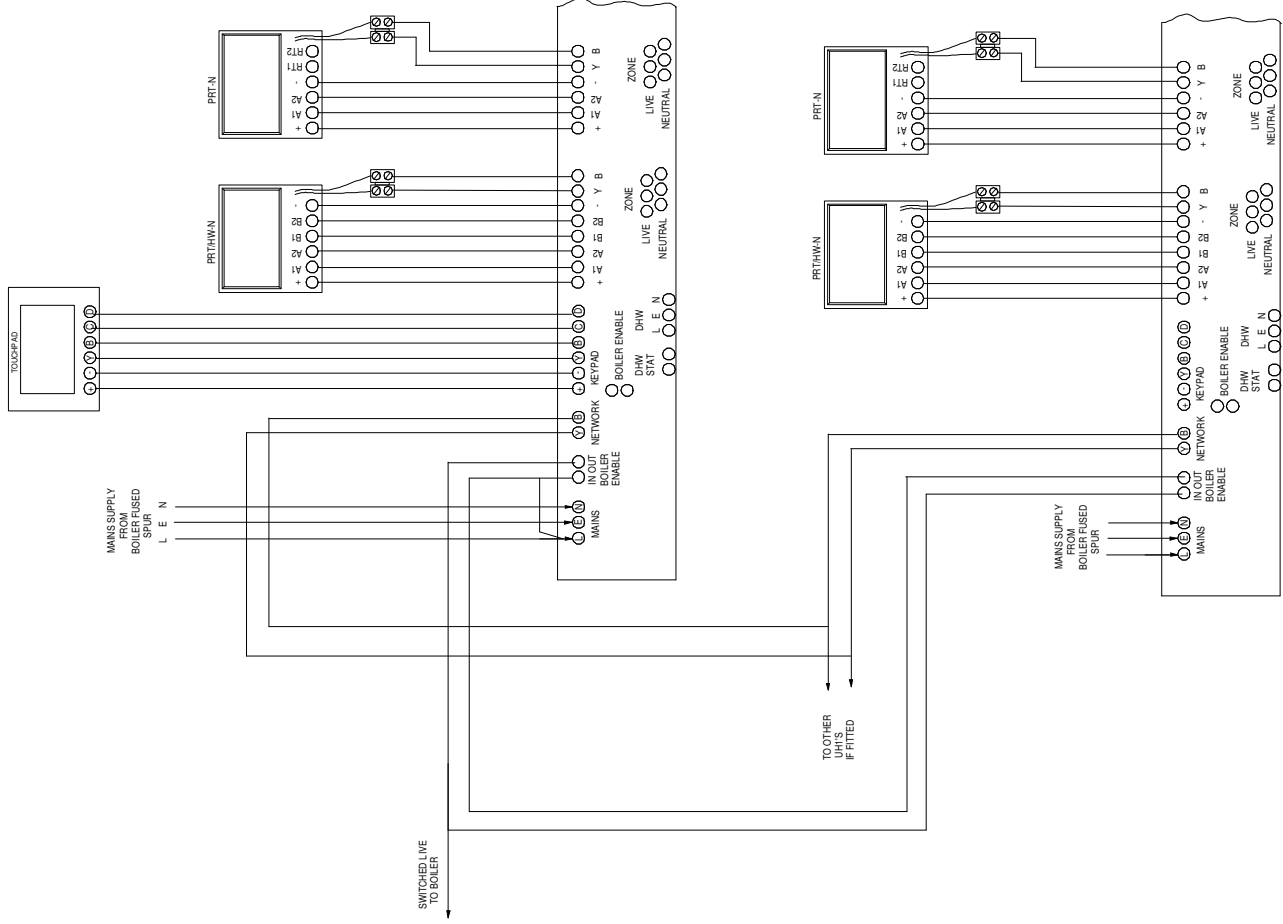


BASIC SYSTEM WITH HOT WATER



CONNECTING 2 OR MORE UH1'S



Using BELDEN 9538 cable on the Heatmiser Network

When using this cable make sure the shield drain wire (the silver unshielded wire) is connected to earth at the UH1.

Using cat5-FTP cable on the Heatmiser Network

Generally cat5 cable comes in 3 types

1. CAT5-UTP unshielded
2. CAT5-FTP shielded lower cost
3. CAT5-STP shielded higher cost

For the heatmiser network you should use CAT5-FTP

This is SHEILDED CAT5 OR CAT5E the FTP stands for foil screened twisted pair

The network uses digital communications to talk between the thermostats and touchpad, tr2 or netmonitor (+). This digital comms line needs to be protected from interference and the cat5- ftp does this in 2 ways

1. The cable is shielded from outside interference
2. The cables are twisted around each other in pairs

Connect as follows :-

Brown to + Brown/white to –

Blue to B Blue/white to Y

Orange to A1 Orange/white to A2

Green to B1 Green/white to B2 (PRT/HW-N AND PRT/HW-NTS only)

Each set of connections forms a twisted pair in the cable cancelling out any interference to or from the cables. .

If your cable colours are different, make sure you use a twisted pair for each of the following :-

1. + & -
2. A1 & A2
3. B1 & B2
4. Y & B

When using this cable make sure the shield drain wire (the silver unshielded wire) is connected to earth at the UH1 end