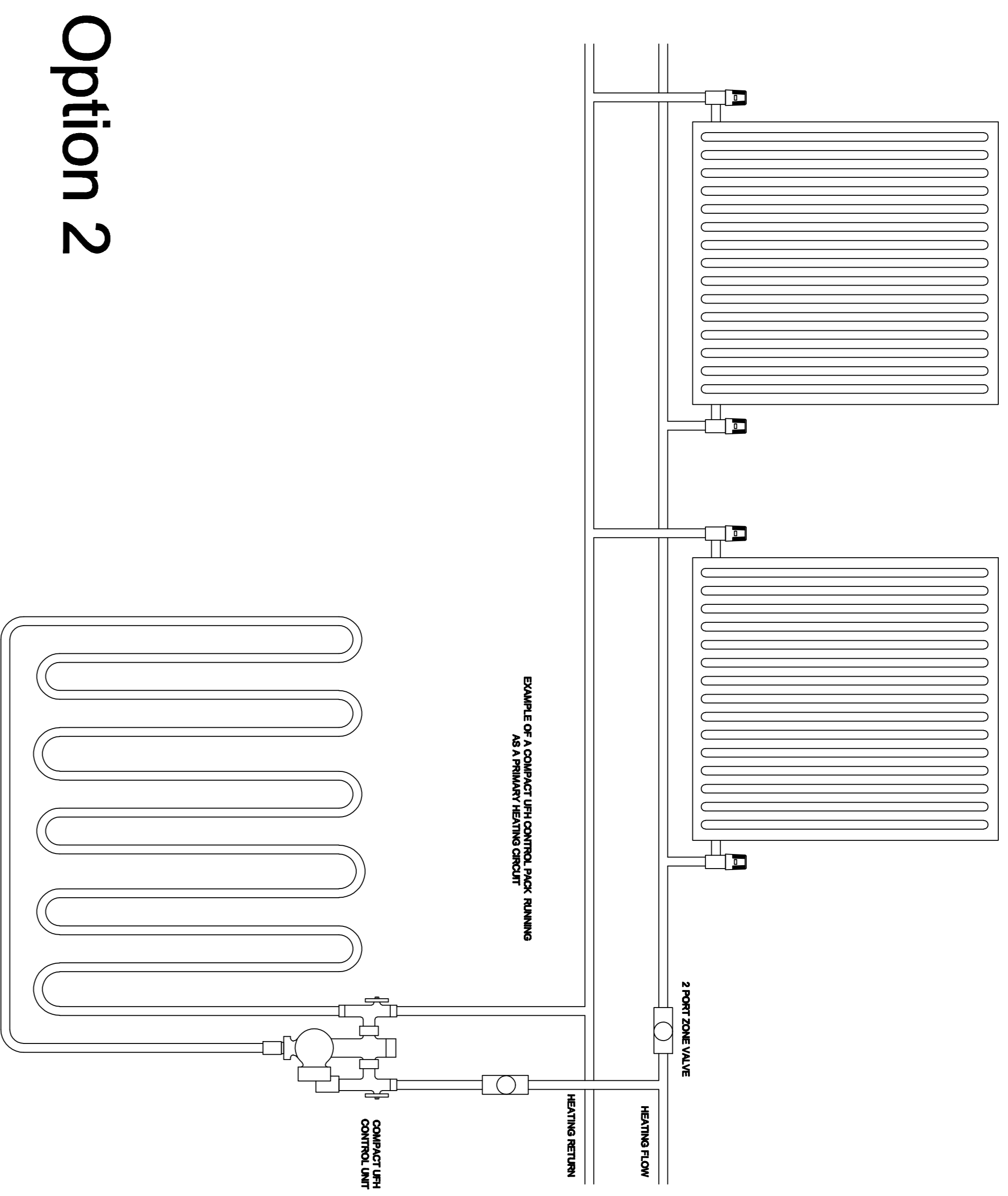


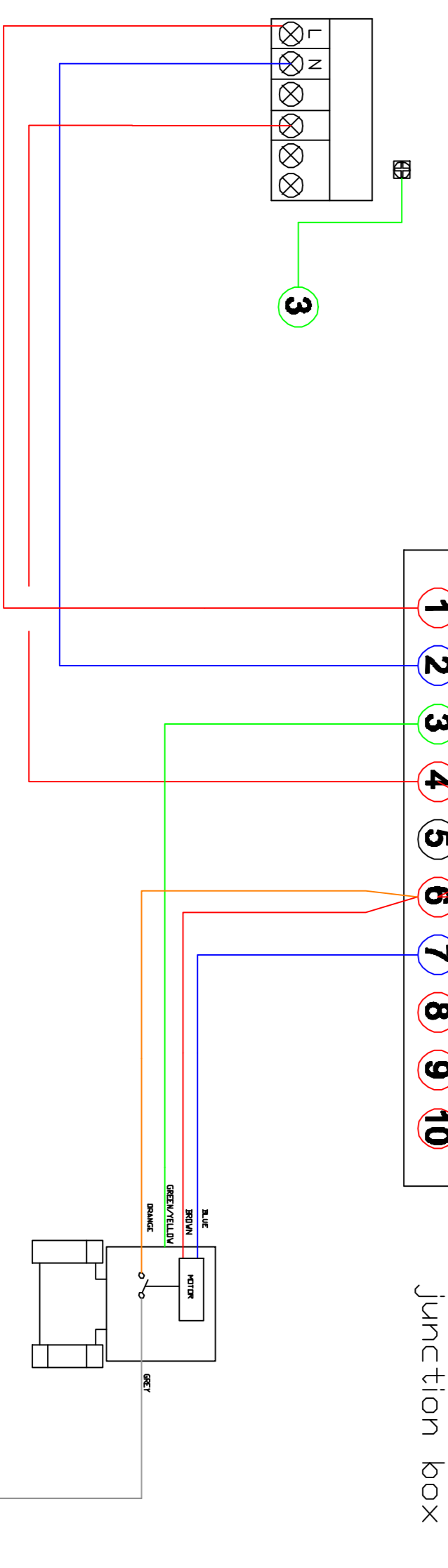
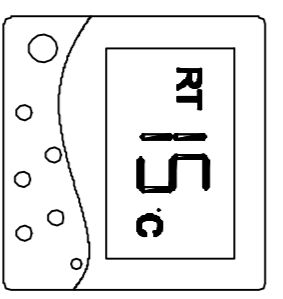
Option 1



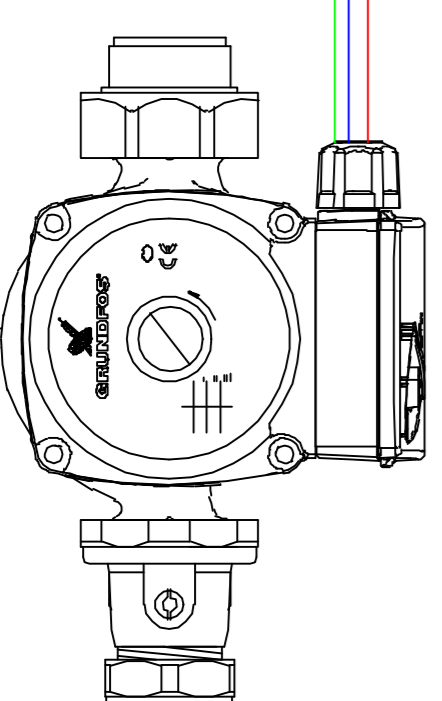
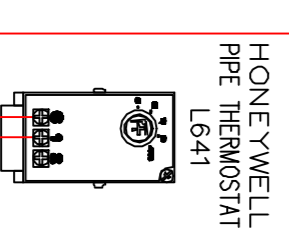
Option 2

In order to isolate underfloor controls fit a 3 amp double pole fused spur to each manifold

PTR 5100



Strap-On Pipe Thermostat for Overheat Protection Fixed Fixed To Flow Pipe To Manifold



UFM Manifold Pump

Boiler switched live



NO 1 FOR UNDER FLOOR HEATING

UNIT 11E
CARCROFT ENT PARK
DONCASTER
DN68DD

tel 01302 727182
fax 01302 728634

EMAIL sales@underfloorheating1.co.uk
WEBSITE www.underfloorheating1.co.uk