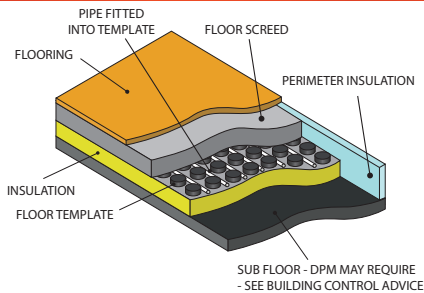




NUMBER 1 FOR UNDER FLOOR HEATING

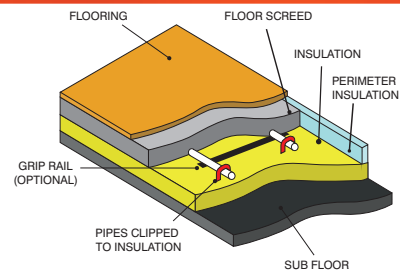
FLOOR CONSTRUCTIONS

CONCRETE FLOOR USING FLOOR TEMPLATES



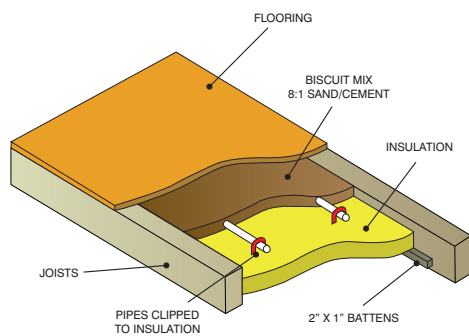
- Insulation - Refer to building regulations for size.
- Screed - We recommend 50 - 75mm liquid screed or 65 - 75mm fibre/traditional screed
- Seek building control advice on the position and use of damp proof membrane
- A 500 gauge screed membrane is required for liquid screed above the insulation before pipe etc

CONCRETE FLOOR



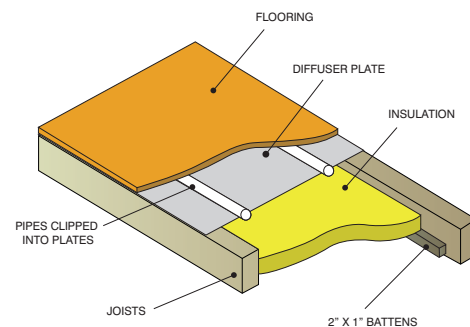
- Insulation - Refer to building regulations for size.
- Screed - We recommend 50 - 75mm liquid screed or 65 - 75mm fibre/traditional screed
- Seek building control advice on the position and use of damp proof membrane
- A 500 gauge screed membrane is required for liquid screed above the insulation before pipe etc

JOISTED FLOOR



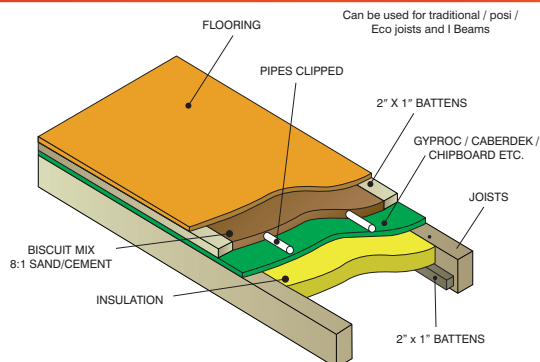
- Flooring - Plywood / chipboard flooring may be required before floor covering - contact us if unsure.
- Insulation - We recommend the use of 50 - 75mm PIR (Kingspan, Celotex etc)
- Biscuit mix - We recommend using 20 - 25mm thickness

JOISTED FLOOR WITH DIFFUSER PLATES



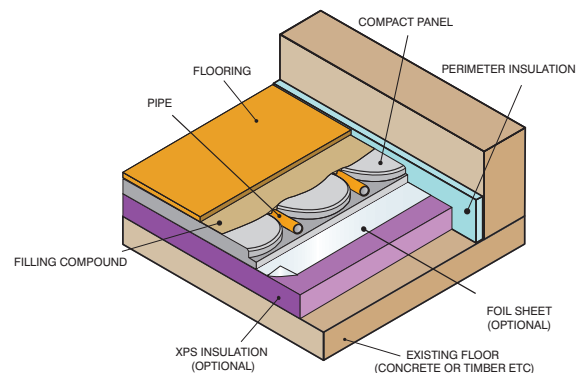
- Flooring - Plywood / chipboard, etc
- Insulation - we recommend 50-100mm PIR (Kingspan, Celotex etc) or seek building control advice

CROSS BATTENING



- Flooring - Plywood / chipboard may be required before floor covering
- Insulation - We recommend 50 - 100mm PIR (Kingspan, Celotex etc) or seek building control advice

SCREED BOARD - RETRO FIT SYSTEM



VARIOTHERM

TEL: 01302 727 182

Damien Mobile: 07912 044 489

Rob Mobile: 07912 044 490

Email: damien@underfloorheating1.co.uk
rob@underfloorheating1.co.uk
sales@underfloorheating1.co.uk

Web: www.underfloorheating1.co.uk

Unit 11E, Carcroft Enterprise Park, Carcroft, Doncaster, DN6 8DD