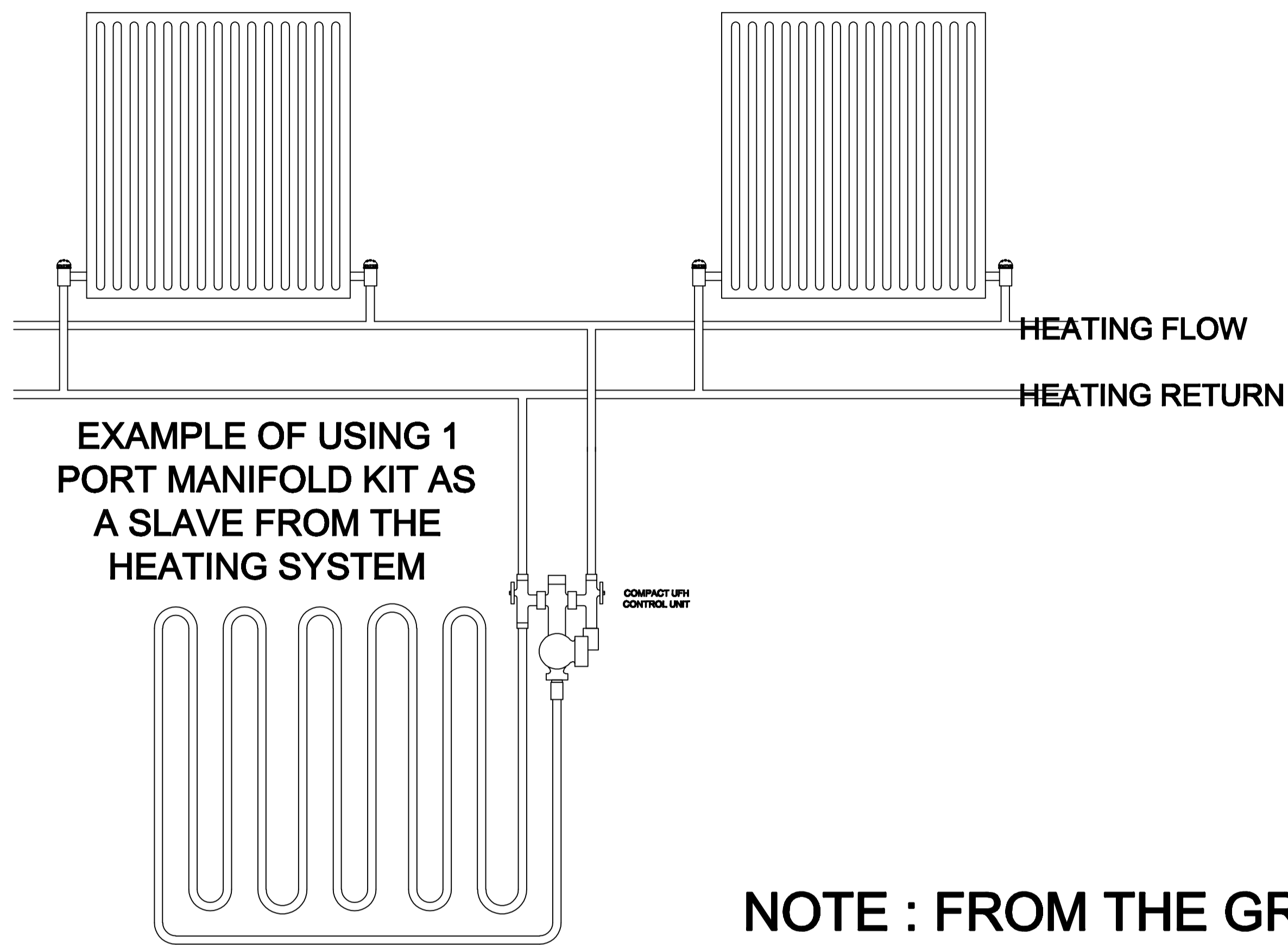
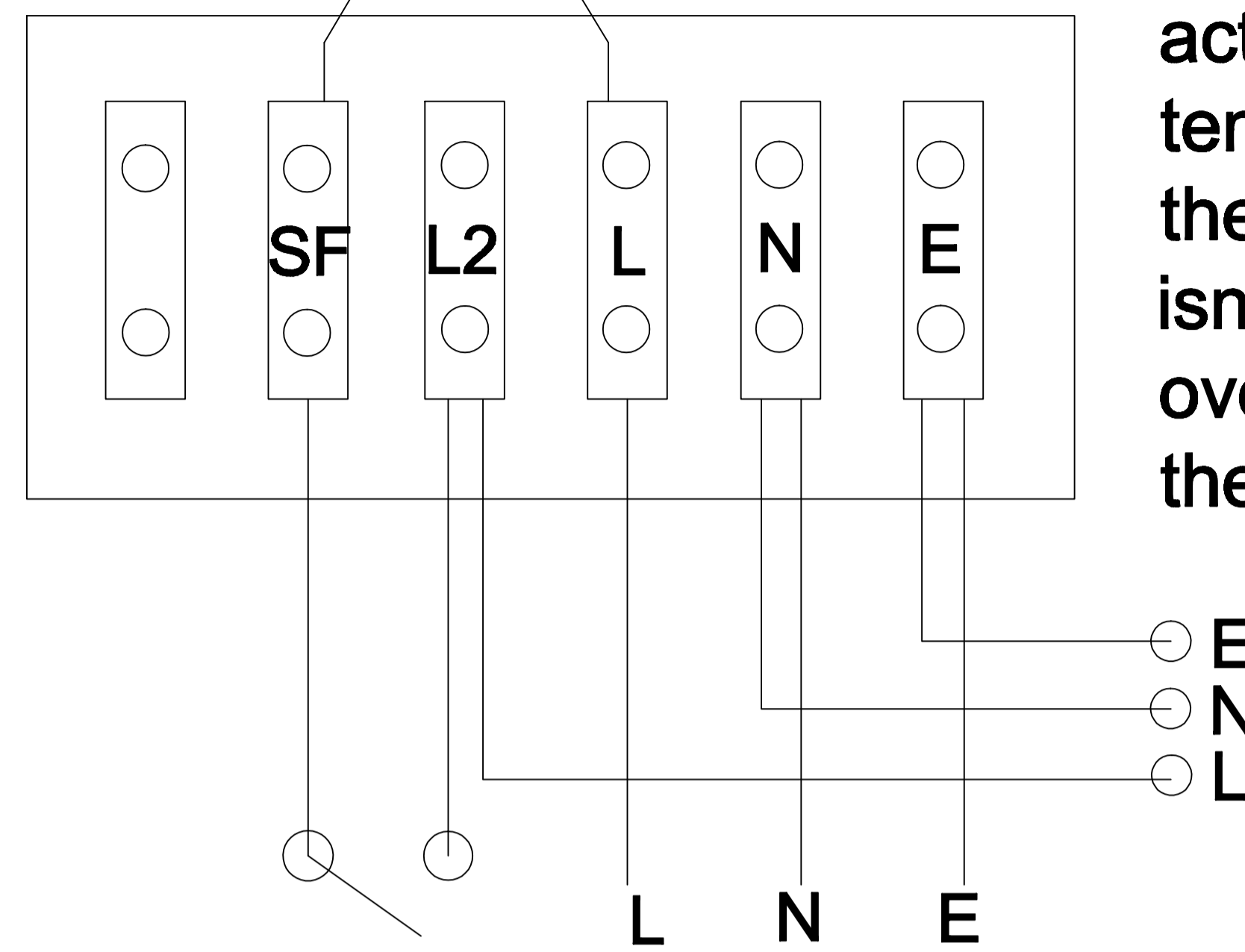


OPTION 1

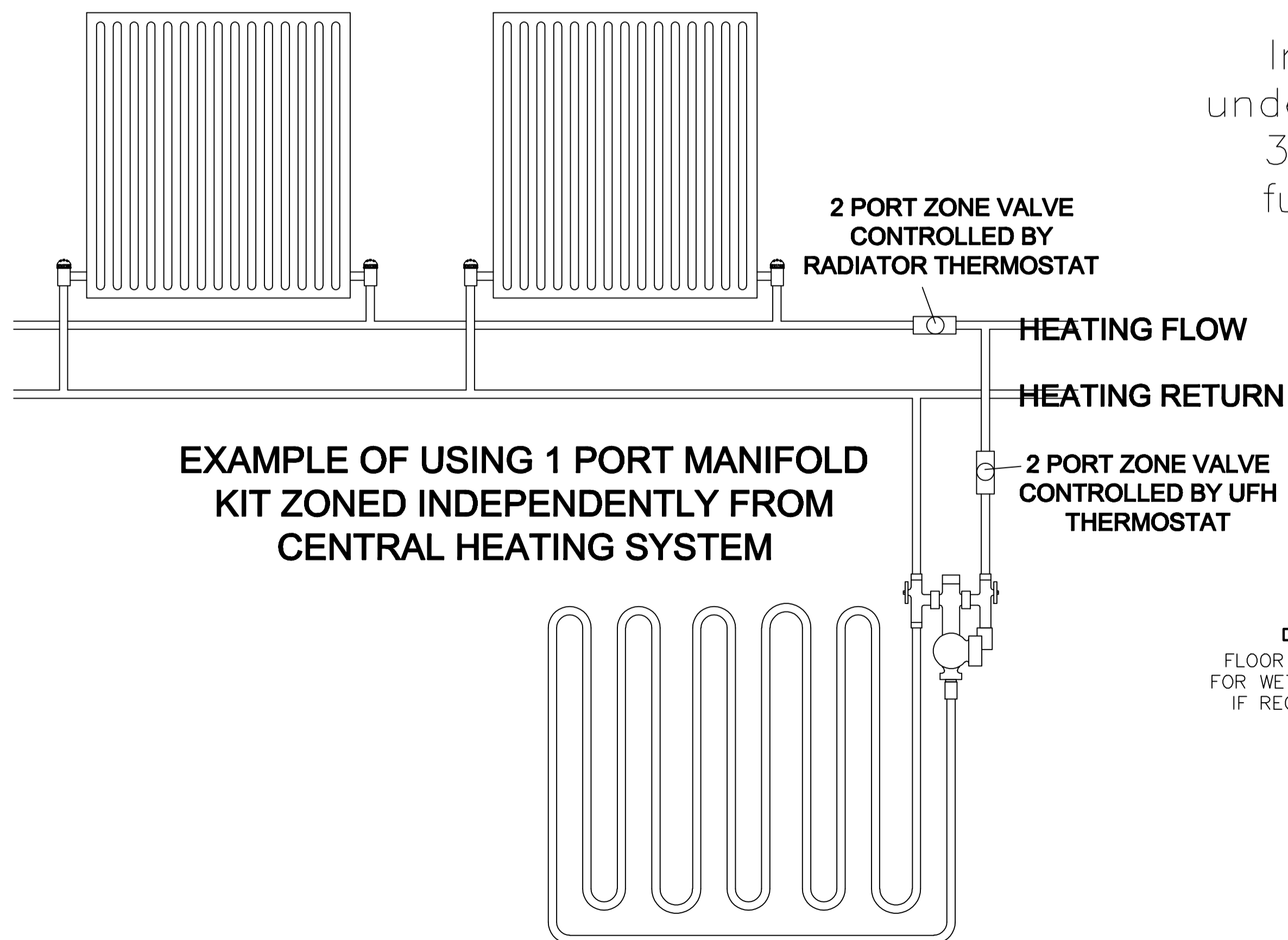


REMOVE LINK WIRE IF A STAT IS FITTED AND REFER TO OPTION 2 WIRING

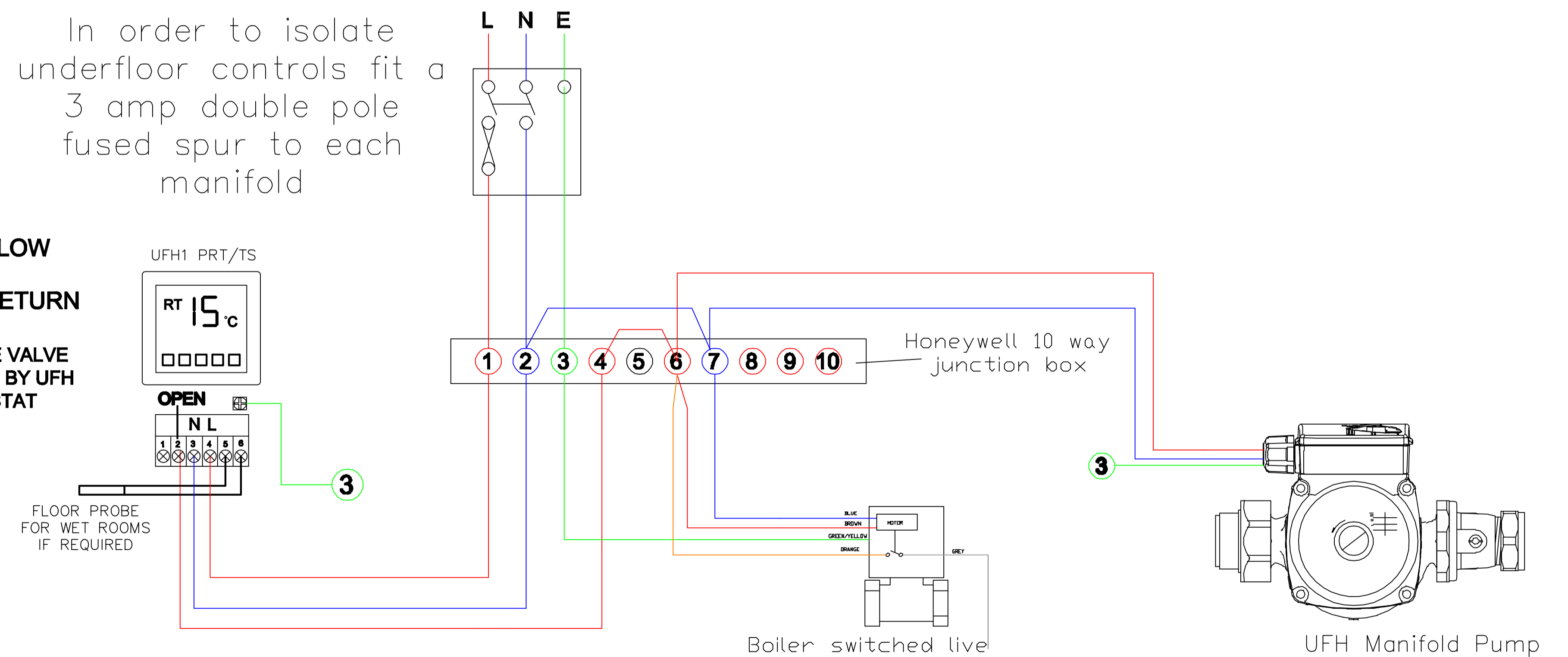


The unit has a built in sensor which activates the pump once the input water temperature reaches 42°C and pumps the warm water around the circuit. There isn't any room temperature control, the overall temperature can be altered with the blending valve on the unit.

NOTE : FROM THE GREY BOX - SHORT WIRE IS FOR PUMP AND LONGER WIRE IS FOR MAINS



In order to isolate underfloor controls fit a 3 amp double pole fused spur to each manifold



OPTION 2